

**BUILT-IN MICROWAVE OVEN**

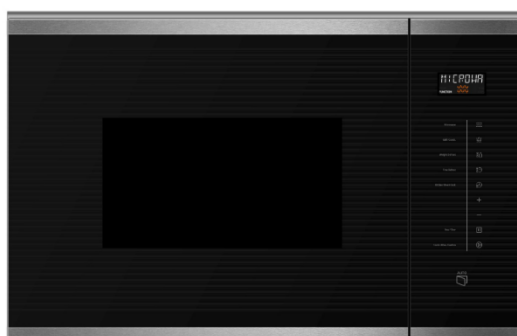
**EFBM 2591 M**



**THE BEAUTY OF SIMPLICITY**



**USER MANUAL**



Read this manual thoroughly before using and save it for future reference

Dear Customer,

Thank you for having purchased and given your preference to our product. This manual provides a means to make full use of the features of this product. The safety precautions and recommendations are also featured in this manual. We recommend that you read this manual for best performance and to extend the life of your appliance.

Please preserve this manual for future use, in the event that doubts arise relating to the operation.

## **SAFETY GUIDELINES**

To reduce the risk of fire, electric shock, injury to persons or exposure to excessive microwave oven energy when using your appliance, follow basic precautions, including the following:

- After having unpacked the appliance, check to ensure that it is not damaged. In case of doubt, do not use it and consult customer service or qualified technician
- Please do not allow young children to play with the plastic film and packaging as this may result in suffocation.
- This appliance can be used by children aged from 8 years old and above and persons with reduced physical, sensory or mental capabilities or lack of experience and knowledge if they have been given supervision or instruction concerning use of the appliance in a safe way and understand the hazards involved.
- Children should be supervised to ensure they do not play with the appliance.
- Cleaning and user maintenance shall not be done by children unless they are adult supervised.
- Keep the appliance and its cord out of reach of children less than 8 years old.
- Only use utensils that are suitable for use in microwave ovens.
- The oven should be cleaned regularly and any food deposits should be removed.
- Warning: Liquids and other foods must not be heated in sealed containers since they are liable to explode.
- Warning: It is hazardous for anyone other than a competent person to carry out any service or repair operation that involves the removal of a cover which gives protection against exposure to microwave energy.
- If smoke is emitted, switch off or unplug the appliance and keep the door closed in order to stifle any flames.
- Do not use the oven cavity for storage purposes. Do not store items, such as bread, cookies, etc. inside the oven.
- Install or locate this oven only in accordance with the installation instructions provided.
- This appliance is intended to be used in household and similar applications such as:
  - staff kitchen areas in shops, offices and other working environments;
  - clients in hotels, motels and other residential type environments;
  - farm houses;
  - bed and breakfast type environments.
- If the supply cord is damaged, it must be replaced by the manufacturer, its service agent or similarly qualified persons in order to avoid a hazard.
- Do not store or use this appliance outdoors.
- Do not use this oven near water, in a wet basement or near a swimming pool.
- The temperature of accessible surfaces may be high when the appliance is operating. The surfaces are liable to get hot during use. Keep cord away from heated surface, and do not cover any vents on the oven.
- Do not let cord hang over edge of table or counter.
- The contents of feeding bottles and baby food jars shall be stirred or shaken and the temperature checked before consumption, in order to avoid burns.
- The appliance is not intended for use by persons (including children) with reduced physical, sensory or mental capabilities, or lack of experience and knowledge, unless they have been given supervision or instruction concerning use of the appliance by a person responsible for their safety.
- Children should be supervised to ensure that they do not play with the appliance.

- The appliances are not intended to be operated by means of an external timer or separate remote-control system.
- **WARNING:** The appliance and its accessible parts become hot during use. Care should be taken to avoid touching heating elements. Children less than 8 years of age shall be kept away unless continuously supervised.
- Surface of a storage drawer can get hot.
- The appliance shall not be cleaned with a steam cleaner.
- Care should be taken not to displace the turntable when removing containers from the appliance.
- The appliance must not be installed behind a decorative door in order to avoid overheating.
- Failure to maintain the oven in a clean condition could lead to deterioration of the surface that could adversely affect the life of the appliance and possibly result in a hazardous situation.

### **PRECAUTIONS TO AVOID POSSIBLE EXPOSURE TO EXCESSIVE MICROWAVE ENERGY**

- Do not attempt to operate this oven with door open since this can result in harmful exposure to microwave energy. It is important not to break or tamper with the safety interlocks.
- Do not place any object between the oven front face and the door or allow soil or cleaner residue to accumulate on sealing surfaces.
- The oven door must be closed properly. Do not operate the oven if :
  - Door seals is damaged
  - Door hinges are loose or broken
  - Door is warped
  - Holes or crack is found on the oven
- **WARNING:** The oven must not be operated if the above issues occur as this will result in microwave leakage and cause hazard to user. The repair and service must be carried out by authorized and qualify technician.

### **PRECAUTIONS TO AVOID POSSIBLE RISK OF FIRE INSIDE THE CAVITY**

- Do not overcook food.
- Eggs in their shell and whole hard-boiled eggs should not be heated in microwave ovens since they may explode, even after microwave heating has ended.
- Remove wire twist-ties and metal handles from paper or plastic containers/bags before placing them in the oven.
- When heating food in plastic or paper containers, keep an eye on the oven due to the possibility of ignition.
- The microwave oven is intended for heating food and beverages. Drying of food or clothing and heating of warming pads, slippers, sponges, damp cloth and similar may lead to risk of injury, ignition or fire.
- Metallic containers for food and beverages are not allowed during microwave cooking.
- Microwave heating of beverages can result in delayed eruptive boiling, therefore care must be taken when handling the container.
- Do not heat oil or fat. Do not leave the food unattended when cooking with oils as this can cause fire hazard.
- If smoke or ignition is observed in the cavity during operation, keep the oven door closed. Switch off the power and unplug the oven immediately.
- **Personal Injury Hazard** It is hazardous for anyone other than a competent person to carry out any service or repair operation that involves the removal of a cover which gives protection against exposure to microwave energy.

## PRECAUTIONS TO REDUCE RISK OF INJURY TO PERSONS DURING INSTALLATION

### ELECTRIC SHOCK HAZARD

#### **WARNING:**

Touching some of the internal components can cause serious personal injury or death. Do not disassemble this appliance.

Improper use of the grounding can result in electric shock.

Do not plug into an outlet until appliance is properly installed and grounded.

- This appliance must be grounded. In the event of an electrical short circuit, grounding reduces the risk of electric shock by providing an escape wire for the electric current.
- This appliance is equipped with a cord having a grounding wire with a grounding plug. The plug must be plugged into an outlet that is properly installed and grounded.
- Consult a qualified electrician or serviceman if the grounding instructions are not completely understood or if doubt exists as to whether the appliance is properly grounded.
- If it is necessary to use an extension cord, use only a 3-wire extension cord.
- A short power-supply cord is provided to reduce the risks resulting from becoming entangled in or tripping over.
- If a long cord set or extension cord is used:
  - The marked electrical rating of the cord set or extension cord should be at least as great as the electrical rating of the appliance.
  - The extension cord must be a grounding-type 3-wire cord.
  - The long cord should be arranged so that it will not drape over the counter top or tabletop where it can be pulled on by children or tripped over unintentionally

### Suitable Utensil for Microwave Oven

To cook or defrost or heat up food in the microwave oven, the microwave energy must be able to pass through the cooking utensils to reach the food.

Below is the general guide for selecting a suitable utensil:

Utensil	Microwave	Grill	Combination
Glassware	Heat-resistant glass only	Heat-resistant glass only	Heat-resistant glass only
Ceramic ware	Heat-resistant glass only	Heat-resistant glass only	Heat-resistant glass only
Plastic	Microwave-safe only	No	No
Kitchen Paper	Yes	No	No
Metal Tray/Rack	No	Yes	No
Aluminum Foil	No	Yes	No

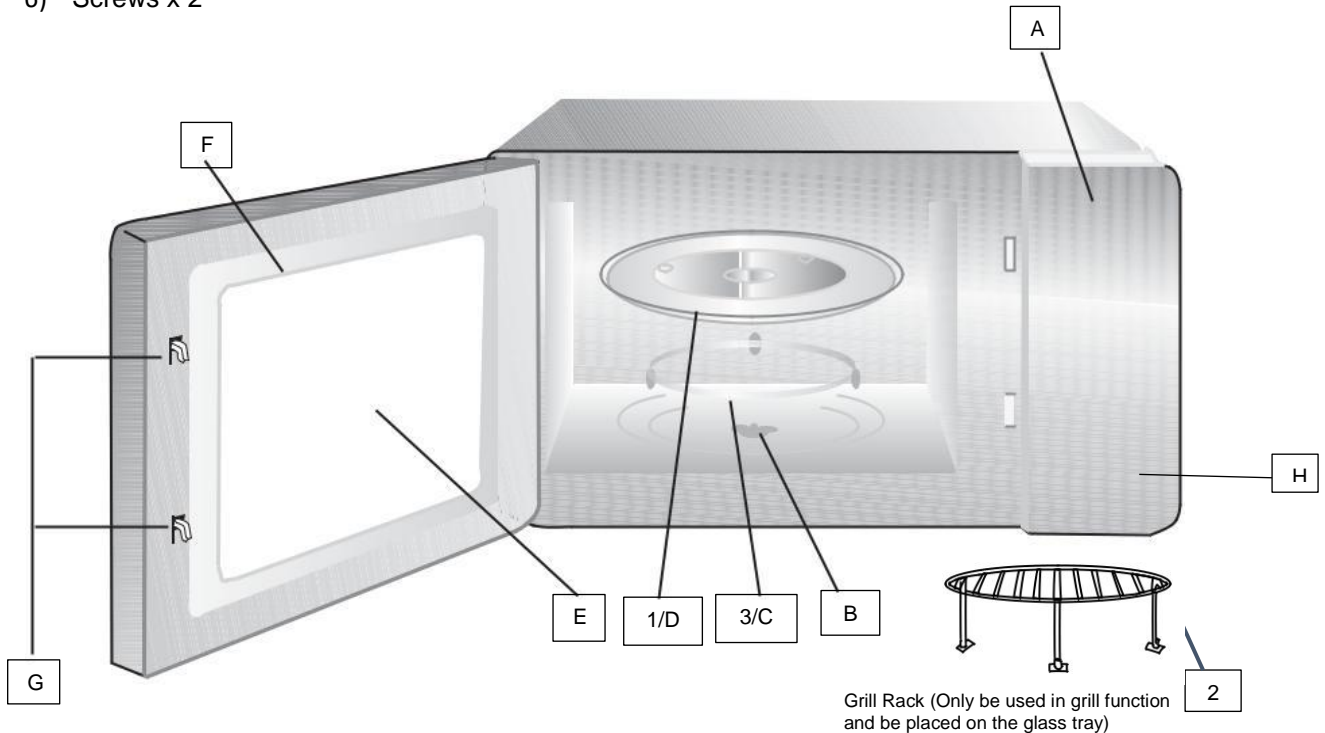
## PRODUCT SPECIFICATIONS

<b>Model:</b>	<b>EFBM 2591 M</b>
Rated Voltage:	230V~ 50Hz
Rated Input Power(Microwave):	1450W
Rated Output Power(Microwave):	900 W
Rated Input Power(Grill):	1000W
Oven Capacity:	25L
Turntable Diameter:	Ø 315mm
External Dimensions:	W594 X D403 X H382 mm
Net Weight:	Approx. 17.6 kg

# PRODUCT DESCRIPTIONS

Your oven comes with the following accessories:

- 1) Glass Tray x 1
- 2) Grill Rack x 1
- 3) Turntable Ring x 1
- 4) User Manual x 1
- 5) Rubber Sucker x 1 (for door opening when there is no electric power)
- 6) Screws x 2



A) Control Panel	E) Oven Window
B) Turntable Shaft	F) Door Assembly
C) Turntable Ring	G) Safety Interlock
D) Glass Tray	H) Auto Door Button

## Turntable Installation



Place the turntable ring at the bottom of the cavity and place the glass tray on it. Ensure that the glass tray is well secured.

- a. Never place the glass tray upside down.
- b. Do not turn the glass tray manually as this could damage the drive motor.
- c. Both glass tray and turntable ring assembly must always be used during cooking.
- d. All food and containers of food are always placed on the glass tray for cooking
- e. If glass tray or turntable ring assembly cracks or breaks, contact authorized service center



## CONTROL PANEL

- 1) Display Screen
- 2) Microwave
- 3) Grill / Combi
- 4) Defrost by Weight
- 5) Defrost by Time
- 6) Kitchen Timer/Clock
- 7) Auto Menu/Power/Weight/Timer Adjustment
- 8) Stop/Clear – Child Lock “3”
- 9) Start/+30sec/Confirm
- 10) Auto Door Opening

## OPERATION OF THE OVEN

### FIRST USE

- Ensure that all the packaging material is removed from the oven before use.
- Clean the oven cavity and the supplied accessories thoroughly.
- **Warning:** Do not operate the oven if any of the issues below occur:
  - Door seals is damaged
  - Door hinges are loose or broken
  - Door is warped
  - Holes or crack is found on the oven

Note: When first use the grill function, it may produce slight burning smell. The smell will be dissipated after a while. This is normal and will not impose any risk. Please operate the grill without any food for at least 20 minutes when use for the first time.

### OPERATION

This microwave oven uses modern electronic control to adjust cooking parameters to meet your needs better.

When turn on the power, the oven will display "WELCOME", buzzer will ring once. If there is no operation within 1 minute, the oven will enter into standby mode and "0:00" will display.

#### Setting the Clock

- Press " **Kitchen Timer/Clock** " icon twice, the screen will display "00:00" and the hour figures will flash
- Press " - " or " + " to set the present hour (0-23). The hour is displayed in 24 Hour mode.
- Press the " **Kitchen Timer/Clock** " or " **Start/+30Sec./Confirm** " to confirm the hour.
- Minutes figures will flash. Press " - " or " + " to set the present minutes (0-59)
- Press the " **Kitchen Timer/Clock** " or " **Start/+30Sec./Confirm** " again to confirm the minutes setting. The clock setting is completed and the current time will show (the 2 points ":" between hours and minutes will blink).

## Microwave Cooking Mode

You may select the desired power level and cooking time for microwave cooking.

- Press "**Microwave**" icon once, the screen will display maximum power level (100%) "P100".
- Press "**Microwave**" icon repeatedly to select the desired microwave power level. There are 5 power levels – P100, P80, P50, P30 and P10.

Microwave Power	High (100%)	Med. High (80%)	Med. (50%)	Med. Low (30%)	Low (10%)
Display	P100	P80	P50	P30	P10

- Press " - " or " + " to set the cooking time (from 5 sec to max. 95 min). The cooking time is incremented
 

Between 0 to 1 min	in steps	05 seconds
Between 1 to 5 min	in steps	10 seconds
Between 5 to 10 min	in steps	30 seconds
Between 10 to 30 min	in steps	01 minute
Between 30 to 95 min	in steps	05 minutes
- Press the "**Start/+30Sec./Confirm**" to start cooking.
- When cooking ends, there will be acoustic signal (beep 5 times) and the screen will show "End".

Note:

- Press the "**Microwave**" icon to check on the power level during cooking
- Press "**Stop/Clear**" icon to stop cooking during operation. Press "**Start/+30Sec./Confirm**" to resume cooking
- During cooking, press "**Start/+30Sec./Confirm**" to add the cooking time. Each press is 30 seconds increment.

## Grill or Combi (Microwave + Grill)

- Press "**Grill/Combi**" icon once, the screen will display "G" (for grilling).
- Press "**Grill/Combi**" icon repeatedly to select the desired cooking mode. There are 3 modes – "G", "C-1" and "C-2".

Program	Display	Microwave Power	Grill Power	Suitable Dish
Grill	G	0%	100%	Thin slices of meat, sausage, kebabs, au gratin dish
Combi 1	C-1	55%	45%	Pudding, omelets, baked potato
Combi 2	C-2	36%	64%	Fish, potato, au gratin dish

- Press " - " or " + " to set the cooking time (from 5 sec to max. 95 min).
- Press the "**Start/+30Sec./Confirm**" to start cooking.
- When cooking ends, there will be acoustic signal (beep 5 times) and the screen will show "End".

Note:

- Press the "**Grill/Combi**" icon to check on the power level during cooking
- Press "**Stop/Clear**" icon to stop cooking during operation. Press "**Start/+30Sec./Confirm**" to resume cooking
- During cooking, press "**Start/+30Sec./Confirm**" to add the cooking time. Each press is 30 seconds increment.
- Do not preheat the grill for Combi mode.

## Quick Program

This oven offers smart functions for quick programming:

### Quick Start

- In standby mode, press the "**Start/+30Sec./Confirm**" icon will immediately start the cooking with 100% power level for 30 seconds. Each press on the same key increases the cooking time by 30 seconds. The maximum cooking time is 95 minutes.
- In standby mode, press the " - " icon to set the cooking time. Press the "**Start/+30Sec./Confirm**" icon to start cooking with 100% power level.

## **Increasing Cooking Time**

During cooking process, press "**Start/+30Sec./Confirm**" icon to increase the cooking time. Each press is 30 seconds increment. The maximum cooking time is 95 minutes.

Note: The above quick program is not applicable for **Auto Menu** and **Weight Defrost**.

## **Weight Defrost**

- Press "**Weight Defrost**" icon once, the screen will display "100" (100g).
- Press " - " or " + " to select the food weight. The weight can be programmed between 100g – 2000g.
- Press the "**Start/+30Sec./Confirm**" to start cooking.
- When cooking ends, there will be acoustic signal (beep 5 times) and the screen will show "End".

Note:

During defrosting, the oven pauses and produces reminder alert. In order to have a better effect of defrosting, you should turn the food over, and then press "**Start/+30Sec./Confirm**" to continue cooking.

## **Time Defrost**

- Press "**Time Defrost**" icon once, the screen will display "00:00".
- Press " - " or " + " to choose the desired defrost time (from 5 sec to max. 95 min).
- Press the "**Start/+30Sec./Confirm**" to start cooking.
- When cooking ends, there will be acoustic signal (beep 5 times) and the screen will show "End".

## **Multi-Stage Cooking Mode**

This oven can be programmed up to 2 stages of cooking using combinations of Microwave mode, Grill Mode or Combi Mode.

Example: if you want to defrost the food for 5 minutes, then cook with 80% microwave power for 7 minutes. The steps are as following:

- Press the "**Time Defrost**" icon.
- Set the defrost time to 5 minutes by pressing the " - " or " + ".
- Press the "**Microwave**" icon till the microwave power is set to "P80" (80% power)
- Set the cooking time to 7 minutes by pressing the " - " or " + ".
- Press the "**Start/+30Sec./Confirm**" to start cooking.
- When cooking ends, there will be acoustic signal (beep 5 times) and the screen will show "End".

Note:

This cooking mode is not applicable for **Weight Defrost**, **Auto Menu** and **Quick Program**.

There will be beep signal sounds after the first cooking stage is completed and before entering to the 2<sup>nd</sup> stage.

## **Kitchen Timer**

Kitchen timer operates independently. It can be set from 5 sec to maximum 95 min.

- Press "**Kitchen Timer/Clock**" icon once, the screen will display "KT 00:00".
- Press " - " or " + " to set the desired time (from 5sec to max. 95min)
- Press the "**Start/+30Sec./Confirm**" to start the timer countdown.
- When cooking ends, there will be acoustic signal (beep 5 times) and the screen will show "End".



## Auto Menu

This oven offers 8 preset cooking programs. These programs are weight dependent and the cooking duration is automatically calculated once the weight is set.

To access to this auto menu, follow the steps as below:

- In standby mode, Press “ + ” to select the desired menu (menu chart as below).
- Press the "**Start/+30Sec./Confirm**" to confirm the menu
- Press “ - ” or “ + ” to choose the food weight
- Press the "**Start/+30Sec./Confirm**" to start cooking.
- When cooking ends, there will be acoustic signal (beep 5 times) and the screen will show “End”.

### Menu Chart

Menu	Weight	Cooking Mode
Pizza	200 g	C-2
	400 g	
Meat	250 g	P100 (100%)
	350 g	
	450 g	
Vegetable	200 g	P100 (100%)
	300 g	
	400 g	
Pasta	50 g (with 450g cold water)	P80 (80%)
	100 g (with 800g cold water)	
Potato	200 g	P100 (100%)
	400 g	
	600 g	
Fish	250 g	P80 (80%)
	350 g	
	450 g	
Beverage	1 cup (around 120ml)	P100 (100%)
	2 cups (around 240ml)	
	3 cups (around 360ml)	
Popcorn	50 g	P100 (100%)
	100 g	

## Child Lock

The oven allows locking the control panel to avoid unauthorized use. All buttons are disabled when child lock is activated.

To activate the child lock, press and hold the “**Stop/Clear**” icon for approximately 3 seconds. An acoustic signal and the lock symbol is displayed.


To cancel the child lock function, press and hold the “**Stop/Clear**” icon again for approximately 3 seconds. An acoustic signal and the lock symbol goes off.

## Stop/Clear

The cooking programs can be paused at any time by pressing the “**Stop/Clear**” icon. Press the “**Start/+30Sec./Confirm**” to continue cooking.

To reset the cooking programs, press the “**Stop/Clear**” icon.

## Oven Door Opening

Press "  " button, the oven door will open. To close the door, push the door firmly.

During cooking process, the program will be disrupted if the door is opened. Close the door firmly and press the "**Start/+30Sec./Confirm**" to continue cooking or press the "**Stop/Clear**" icon to reset the cooking programs.

The door opening is powered by electric. Should there be any disruption on electricity, the door can be opened manually using the rubber suction (provided). Paste the rubber suction near to the door opening and pull to force open the door.

## CARE AND MAINTENANCE

It is recommended to clean the oven regularly and to remove any food deposit inside or outside the oven.

### Warning:

Disconnect the power supply before carrying out any cleaning and maintenance.

Ensure that the oven has cooled down to a safe temperature before carrying out any cleaning

- The oven interior can be cleaned using a damp cloth. Mild detergent can be used.
- Do not use abrasive cleaning products as they may stain or deteriorate the oven interior or door surface
- Do not use steam cleaners
- To remove stubborn deposit or to remove smell, boil a cup of water with some lemon juice or vinegar for 3-5 minutes, then clean the cavity wall with damp cloth.
- The door should be kept clean at all times and ensure that there is no damage sign.
- Avoid water or small particles to penetrate into the small vent holes in the cavity.
- Keep the control panel dry. Wipe dry with soft and damp cloth. Avoid using excessive water
- The turntable shaft and glass tray can be removed for cleaning. Wash with soapy water and dry thoroughly before putting them back to the oven.
- Always keep the turntable shaft clean so that the turntable can turn smoothly.
- Wash and dry the grill rack after each use. Wash with soapy water and soak with hot soapy water to remove stubborn grease.

# INSTALLATION

## IMPORTANT:

- This appliance is only intended for domestic use.
- This oven is intended for built-in use only. It is not intended for counter-top use or for use inside a cupboard.
- The oven must be installed in compliance with regulations in force in your country and in observation of the manufacturer's instructions.
- Operation of the oven may cause interference to your radio, TV and similar equipment. Place the oven far from these equipment.
- The oven can be installed in a 60cm wide wall-mounted cupboard and the cabinet must be made of heat-resistant material.
- The oven is fitted with a plug and must only be connected to a properly installed earthed socket
- The mains voltage must correspond to the voltage specified on the rating plate.
- The socket must be installed and connecting cable must only be replaced by a qualified electrician.
- The power supply and socket must be easily accessible after installation. If the plug is no longer accessible following the installation, an all-pole disconnecting device must be present on the installation side with a contact gap of at least 3mm.
- Adapters, multi-way strips and extension leads must not be used. Overloading can result in a risk of fire.
- This oven shall only be serviced by authorized personnel.
- Incorrect installation, for which the manufacturer or distributor accepts no responsibility, may cause personal injury or damage.

## Before Installation

Remove all packing materials and accessories supplied

Check that the oven is free from damage (e.g. deformed seal or door, broken door hinge)

If there is any damage, do not install the oven and contact the authorized service center immediately.

## Electrical Connection

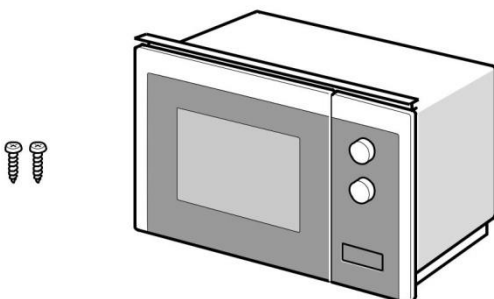
The appliance is fitted with a power cable + 13Amp plug and must only be connected to a properly installed earthed socket. Only a qualified electrician who takes the appropriate regulations into account may install the socket or replace the connecting cable. If the plug is no longer accessible after installation, an all -pole isolating switch must be present on the installation side with a contact gap of at least 3mm. Contact protection must be ensured by the installation.

Note:

Electrical safety must be provided by a correct built-in. During installation and maintenance, the oven must be unplugged from electrical grid.

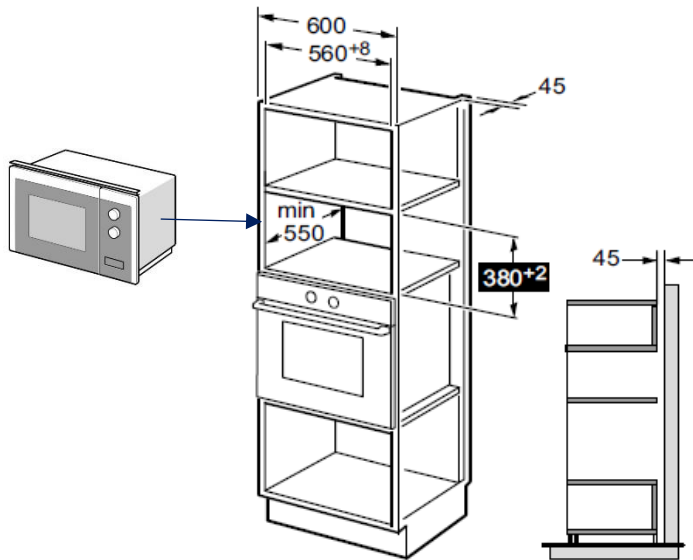
## Fitting the Oven to the Cabinet

- Ensure that the air vents are not obstructed or blocked. If ventilation is blocked, the oven may over heat and cause the oven malfunction.
- The installation cabinet must not have a back panel behind the appliance.
- Ventilation slots and intakes must not be covered.



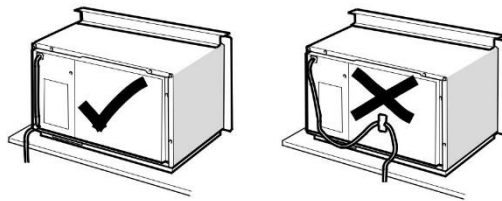
The oven is supplied with 2 screws for installation purpose

- The cabinet column unit must have the following cut-out dimension

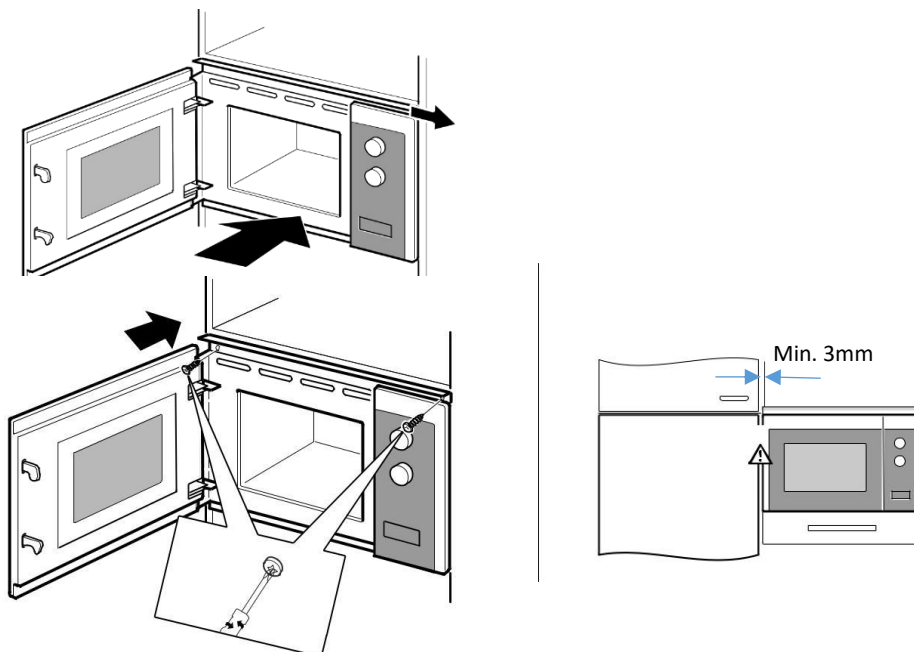


To ensure adequate ventilation, a minimum gap of 45mm is required from back of the oven to the cabinet wall.

- Do not crush the power supply cord.



- Fit the oven to the column unit and fix it with the 2 screws provided. The fixing points are located at the top of oven (see Fig below). Ensure the oven is stable and align with the cabinet. Please keep a minimum distance of 3mm between the oven and other appliances adjacent to it.
- Connect the oven to electrical socket.



## TROUBLESHOOTING

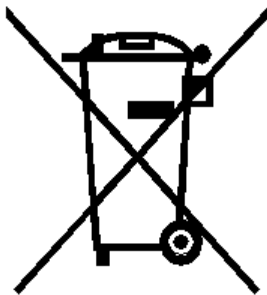
If there is minor faults or problems with the oven, please check the following points before calling for service appointment.

Trouble	Possible Action
Oven does not work	Check if the main power is switched on and the plug is properly fixed
	Check if the door is closed properly
	Check if circuit breaker is in working order
	Check if the "Start/+30Sec./Confirm" icon is pressed
Glass door shows condensation	Steam and water droplets may form during cooking. This is not an issue and does not affect the safety of the oven. Wipe the condensation off.
Turntable does not rotate correctly	Check that the shaft is correctly positioned.
	Clean the shaft and the contact area between the glass tray and turntable support.
Food is not properly cooked, heated or defrost	Check if the power level is set correctly
	Check if the programs is interrupted and paused
The oven interferes with TV or radio	Radio and TV reception may be interfered when the oven is in operation. It is similar to the interference of small electrical appliances like mixer and vacuum cleaner. This is not an issue

If the problem persists despite observing the above checking, please contact the authorized customer service center.

When consulting the customer service center, please ensure that you have the model number, date of purchase and repair issue ready.

## ENVIRONMENT-FRIENDLY DIPOSAL



You can help protect the environment!

Please remember to respect the local regulations:

Hand in the non-working electrical equipment to an appropriate waste disposal centre.

***The manufacturer and agent decline all responsibilities in the event of damage caused by improper, incorrect or illogical use of the appliance.***

**Contact after sales service center when in doubt of the condition of the appliance.**

**For after sales service [Singapore], please contact**

**Casa (S) Pte Ltd**

**15 Kian Teck Crescent, Singapore 628884**

**Telephone: +65 6268 0077**

**Fax: +65 6898 0510**

**Email: [service@casa.com.sg](mailto:service@casa.com.sg)**