



EFDW 6081 BSM

60CM BUILT-IN DISHWASHER

PRODUCT FEATURES

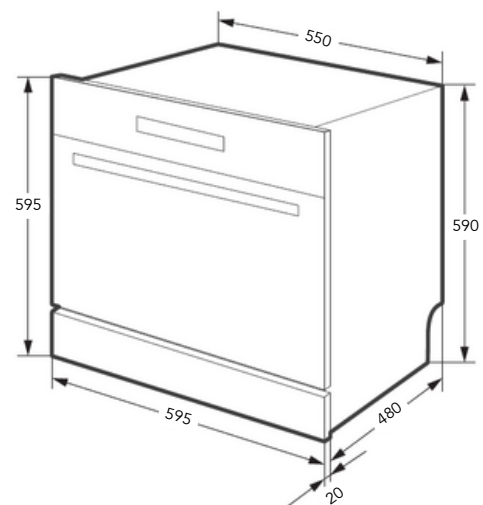
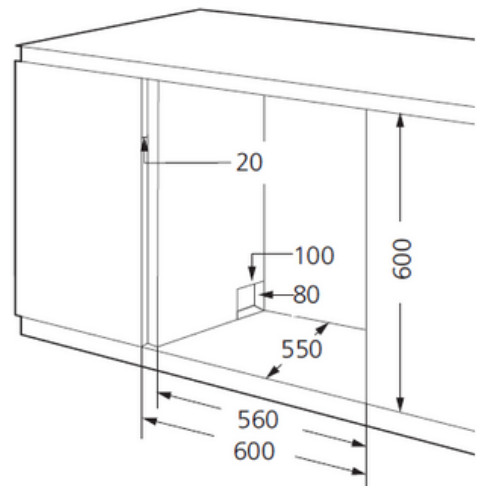
- Place Settings : 8
- 6 Programs: Auto, Intensive, ECO, Glass, Rapid, Self-cleaning
- Fresh Function
- Heated Drying
- Half load function
- LED touch control, with display screen
- Warning indicators: Rinse Aid, Salt, Water Faucet
- Upper basket, lower basket, cutlery rack
- Spray arms: Upper and Lower
- Delay Start (1-24 Hours)
- Child Lock

PERFORMANCES

- Water Efficiency : $\sqrt{\sqrt{}}$
- Water Consumption : 1.0litres/place setting
- WELS Registration No. : DW-2023/040070/SET
- Energy efficiency class : A+
- Energy Consumption : 205 kWh/annum
- Voltage/Frequency : 220-240V/50Hz
- Power Connection : 1380-1620 W

PRODUCT INFORMATION

- Dimensions: W595 x D500 x H595mm
- Built-in: W560 x D550 x H600mm
- Colour: Black



www.ef.com.sg
 EF Home Appliances
 @efappliances

