

COOKER HOOD

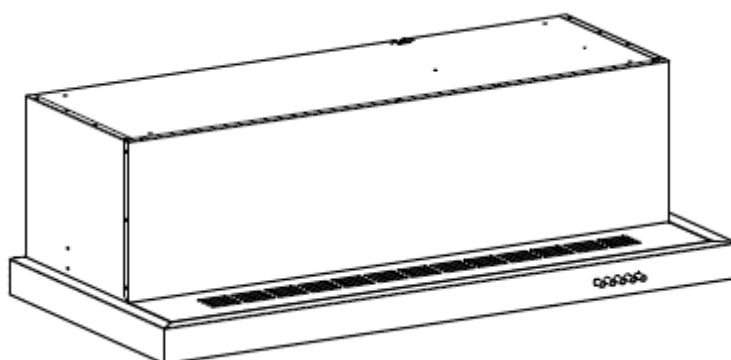
POWER SLIM 90 SSL



THE BEAUTY OF SIMPLICITY



USER MANUAL



User Instruction

Note: Please read the instructions before installation.

- ✧ Your cooker hood is for domestic use only, not suitable for barbecue and other commercial use.
- ✧ Any installation work must be carried out by a qualified electrician or qualified installer.
- ✧ The cooker hood and the aluminium filters should be cleaned regularly to maintain in good working condition.
- ✧ Before cleaning, always ensure that you have switched off your cooker hood.
- ✧ Clean the cooker hood as shown in the instruction manual.
- ✧ Do not dry your cooker hood over fire.
- ✧ If there is any fault with your cooker hood, please call the service department appointed by agent for servicing.
- ✧ If there is any fault with your cooker hood, please call the service centre at:

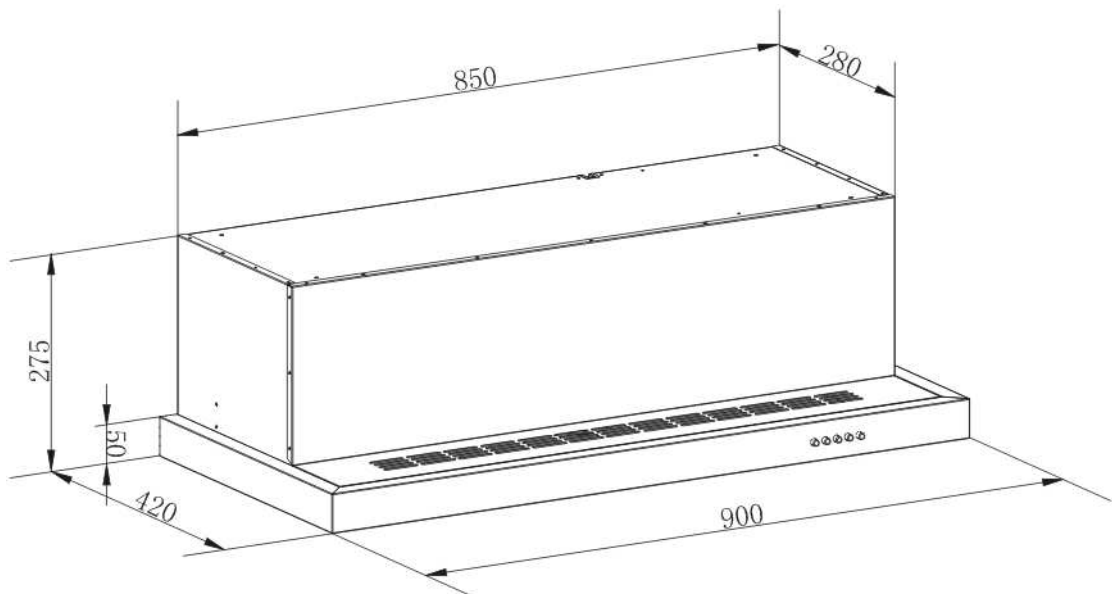
Casa (S) Pte Ltd

15 Kian Teck Crescent Singapore 628884

Service Hotline: 6268 0077

Service Fax: 6898 0510

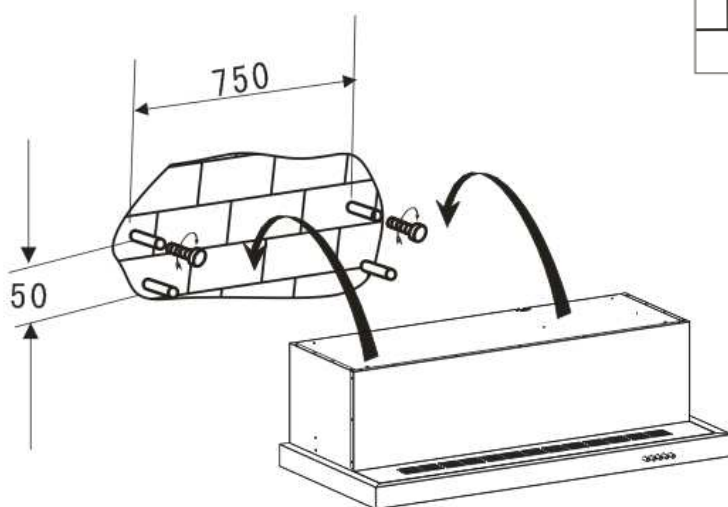
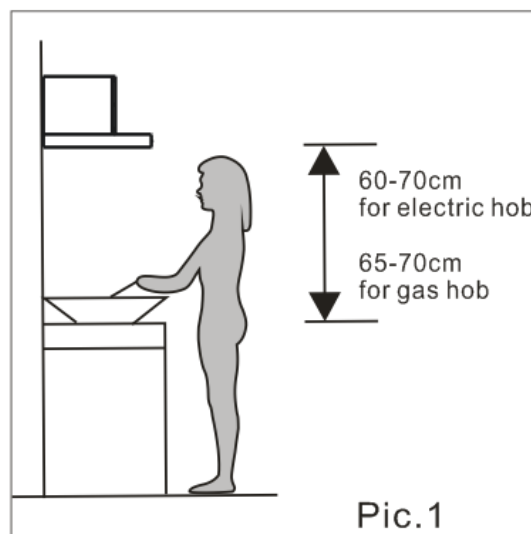
Email: service@casa.com.sg



Installation (wall mount)

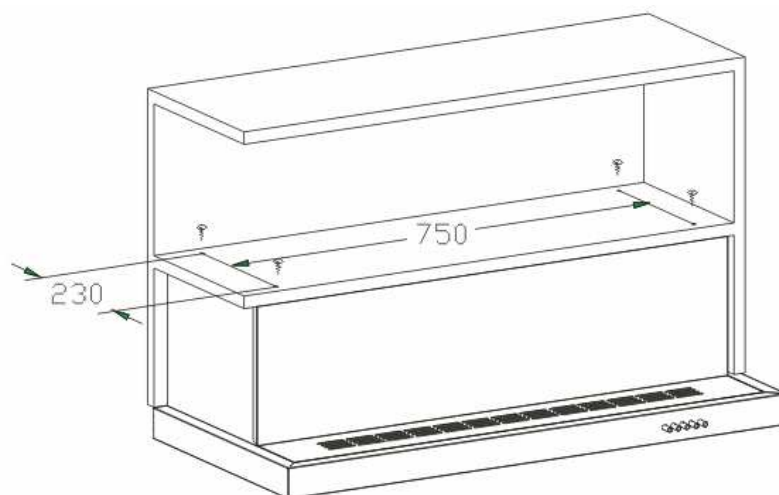
Wall-mounted:

1. The cooker hood should be placed at a distance of 60-70cm from the electric hob and 65-70cm for gas hob for the best effect. See Pic 1.
2. Drilling two holes with 8mm diameter once the installation height is determined.
3. Place the extension tube into the holes.
4. Tighten the screws into the tube.
5. Hook the cooker hood onto the screws. See Pic 2.



Suspension:

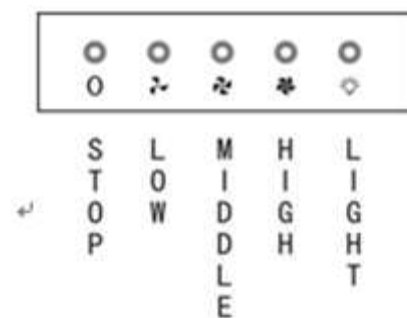
1. Drill 4 holes of $\text{Ø } 6\text{mm}$ at the bottom of the cabinet according to the positions of the screw holes on top of the cooker hood. See pic 3
2. Put the one-way valve on the cooker hood screw holes and lift the cooker hood to the bottom of the cabinet.
3. Tighten the hood with the 4 screws provided to the four holes at the bottom of the cabinet.



Operation:

The switch is operated as below (see pic. 4):

1. Press “0”, the motor will be off.
2. Press the button to “low”, “medium” and “high”,the motor will be turned on at “ low”, “medium” and “ high” speed respectively.
3. Press “light”, to control the on/off of the cooker hood’s lights.



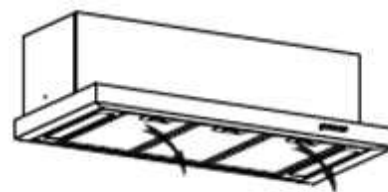
Pic 4

Maintenance

Changing and cleaning the filter.

The methods are as below (pic5):

1. Remove the aluminum filters and dip them into hot water, pour some dish washing detergent in it and leave it for 5-10 minutes. Use a sponge to remove stain from the surface. Do not scrub with force to prevent damage to the filters.
2. The aluminum filters can be washed in a dishwasher.
3. For effective cleansing of recycled air, the charcoal filters should be replaced every six months of regular cooking. (Life span of charcoal filter depend on intensity of cooking)

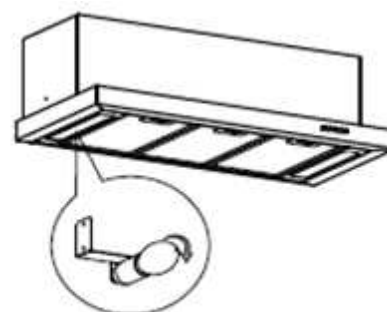


Pic 5

Note: All the filters are made of metal. Please do not use any corrosive detergent when cleaning. Please unplug before cleaning.

Changing the light bulbs

1. Before changing the lights, make sure that the cooker hood is plugged off. See pic 6.
2. Remove the aluminum filters, replaced the bulb with Max. 40W E14 olive-shaped bulb.
3. Place back the filter to the original position.



Pic 6