



BO AE 63 A

60CM CONVENTIONAL OVEN

PRODUCT FEATURES

- 6 functions
Convection, Fan Assist Grill, Full Grill, Fan Bake, Top Heating, Light
- Mechanical control
- 5 shelf positions
- Triple glazed glass door
- Automatic Cut Off Timer
- A-10% class in energy efficiency
- Cavity volume: 73 litres
- Max. temperature: 250 °C
- Total power load: 2.64kW
- Accessories: Grill Tray, Baking Tray and Rotisserie



Light



Top Heating



Convection



Fan Bake



Fan Assist Grill



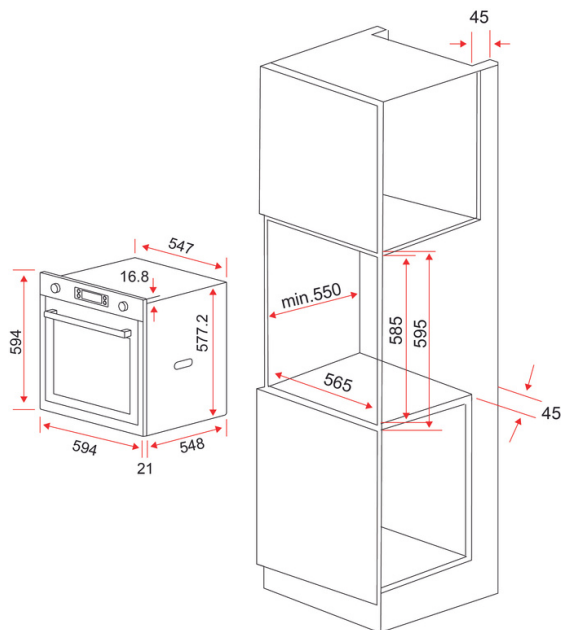
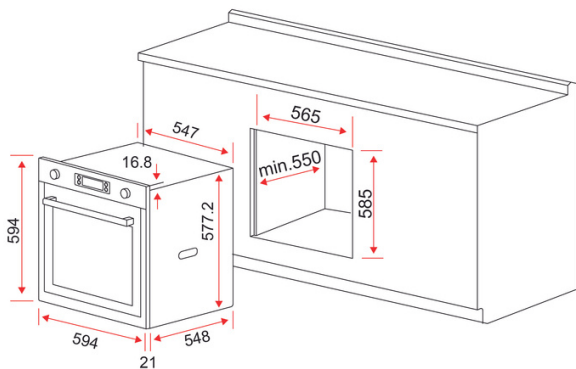
Full Grill

DIMENSIONS

- Product Size: W594 x D569 x H594mm
- Cut-Out Size: W565 x D550 x H585mm

73L

A-10%
ENERGY



www.ef.com.sg
 EF Home Appliances
 @efappliances

