

# EBO 9810 S

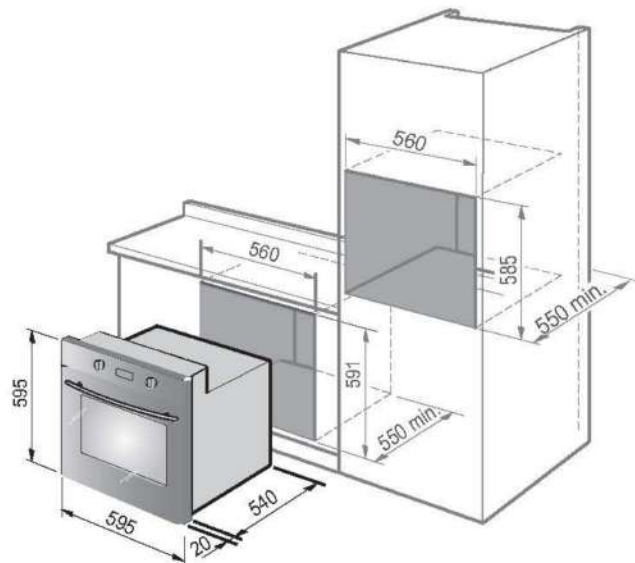
## 60CM MULTI-FUNCTION OVEN

### PRODUCT FEATURES

- 8 Functions:
  - Oven light
  - Top and bottom heat
  - Full grill
  - Fan assisted grill
  - Fan only (Defrosting)
  - Fan assisted top and bottom heat
  - Hot air cooking
  - Hot air assisted top heat
- 53 litres capacity
- Ventilation fan
- Electronic programmer
- Time display
- Automatic cut-off timer
- Temperature range: 50°C to 250°C
- 1 telescopic sliding shelf
- Catalytic self-cleaning panels
- Easy removable door
- Double glazed glass door
- Easy to clean enamel coating



 **MADE IN ITALY**



### PERFORMANCES

- Power consumption: 2365W
- Voltage: 230V/50Hz
- Oven Accessories:
  - Tray, wire shelves, pastry plate and fat filter

### PRODUCT INFORMATION

- Product size: H595 x W595 x D560mm
- Cut-out size:
  - W560 x H585 x D550mm (In column)
  - W560 x H591 x D550mm (Undercounter)
- Colour: Stainless Steel