

SEMI INTEGRATED SLIM HOOD

MODEL:

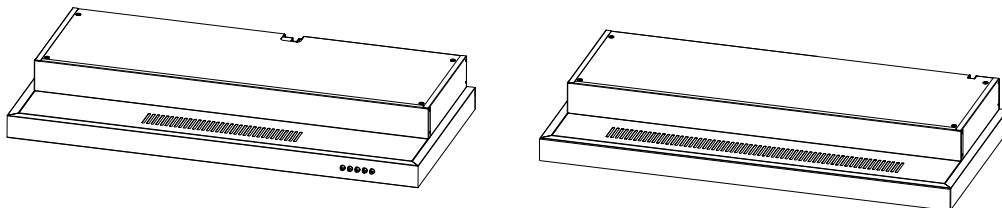
EFCH 9201T SS
EFCH 9202T BK
EFCH 9204T BK
EFCH 9236T BK
EFCH 9234T BK
EFCH 9231T SS



Embracing Finest Moments



USER MANUAL



Dear Customer,

Thank you for having purchased and given your preference to our product. This manual provides a means to make full use of the features of this product. We recommend that you read this manual for best performance and to extend the life of your appliance.

Please preserve this manual for future use, in the event that doubts arise relating to the operation

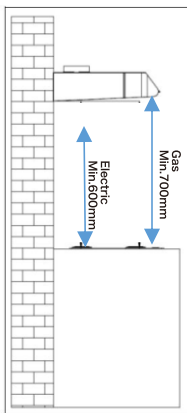
SAFETY GUIDELINES

Packaging

- This appliance and the packaging are produced by processes that minimize waste and friendly to the environment.
- Please dispose the packaging in an environmentally friendly manner
- Please do not allow young children to play with the plastic film and packaging as this may result in suffocation.
- Before disposing of any old appliances, be sure to cut off the power cord so that others will not be endangered by a defective electric appliance

Installation and Usage

- Read this user manual thoroughly before attempting to use this appliance.
- The minimum installation height from the "cooking appliance" to the lower part of the hood is 700mm and 600mm respectively for gas hob and electric hob.



- Do not connect the appliance if there are obvious signs of transportation damage.
- Installation and repair should be attempted only by qualified technical personnel.
- Do not modify any part of this appliance.
- Recirculation mode only. Ensure the location in which the appliance is installed has good, permanent ventilation.
- Check that the main voltage in your area corresponds to the voltage of the appliance before plugging in.
- The electrical connection of this appliance must be connected to earth.

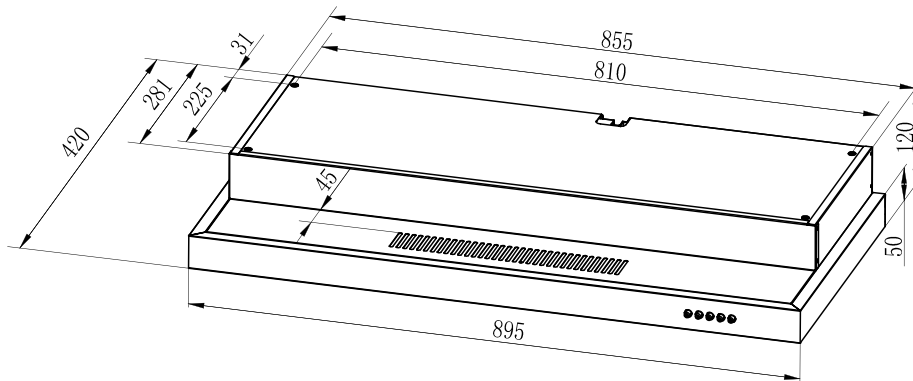
Green & Yellow = EARTH
Blue = NEUTRAL
Brown = LIVE

- Multiple plugs and extension cables must not be used. Overload is dangerous and may cause a fire.
- Ensure that the power supply cord is free from any heat source or sharp objects.
- Do not flambé or grill with an open flame directly under this appliance. Flame could be drawn up to the hood by the strong suction and may risk the grease filter to catch fire.
- Ensure that the filters are cleaned or replaced at an appropriate intervals to prevent grease deposit to build up and increases the risk of fire.
- The appliance should be switched off and the electrical supply has to be disconnected before any cleaning or maintenance work can be carried out.

IMPORTANT:

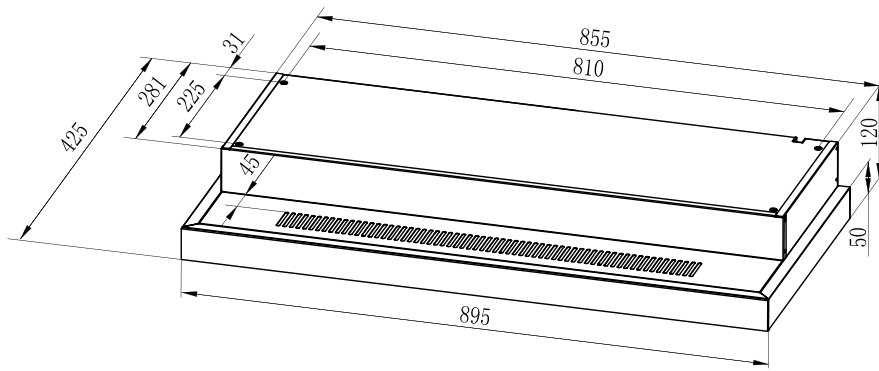
The company declines all responsibilities for any damages resulting from improper installation or poor layout design and/or failure to adopt proper safety measures stated in this manual.

PRODUCT SPECIFICATIONS



Product	Semi-integrated Slim Hood – 2 motors
Voltage	220-240V/50Hz
Motor Power	2 x 80W
Lamp Power	2 x 2W (LED)
Product Dimension	895 x 120 x 420mm (L x H x D)

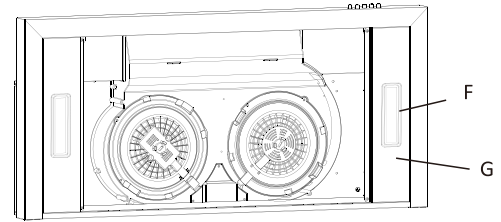
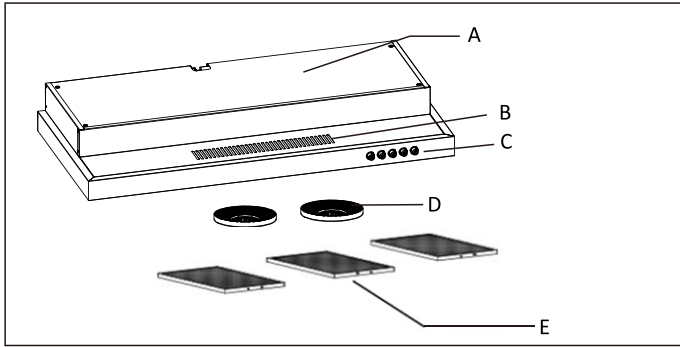
Model	Description
EFCH 9201T SS	Stainless Steel with Push Button Control
EFCH 9202T BK	Black Color with Push Button Control
EFCH 9204T BK	Black Color with Touch Control



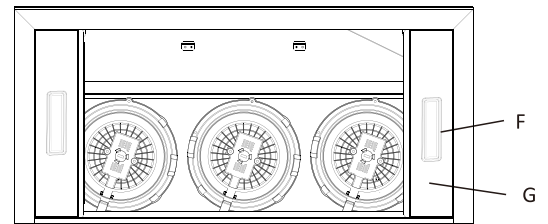
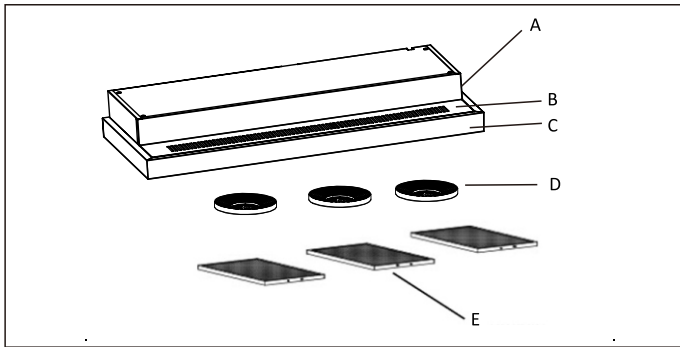
Product	Semi-integrated Slim Hood – 3 motors
Voltage	220-240V/50Hz
Motor Power	3 x 80W
Lamp Power	2 x 2W (LED)
Product Dimension	895 x 120 x 420mm (L x H x D)

Model	Description
EFCH 9236T BK	Black Color with Push Button Control
EFCH 9231T SS	Stainless Steel with Electronic Switch Control
EFCH 9234T BK	Black Color with Touch Control

2 motors version



3 motors version

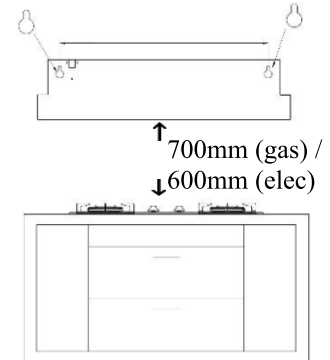


Ref	Parts Description	Qty
A	Hood Body	1
B	Recirculation Air Outlet	1
C	Control Switch	1
D	Charcoal Filter (2 motors / 3 motors)	2/3
E	Aluminum Grease Filter	3
F	LED Light	2
G	Light Cover	2
	Cable 1.65m (Total Length)	1
Others		
	Roof Screw M5*26	4
	Wall Screw ST4*30	2
	Anchor	2
	User Manual	1

INSTALLATION INSTRUCTION

This appliance is configured to operate in recirculation mode ONLY.

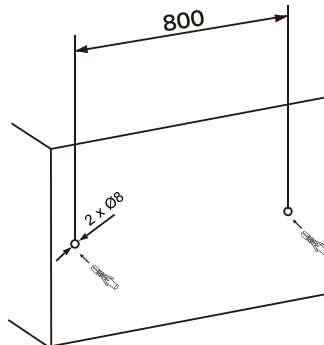
- Please ensure that the installation surface is solid and able to withstand the weight of the appliance.
- The minimum installation height from the "cooking appliance" to the lower part of the hood is 700mm and 600mm respectively for gas hob and electric hob.



Installation(1) - Wall Mount

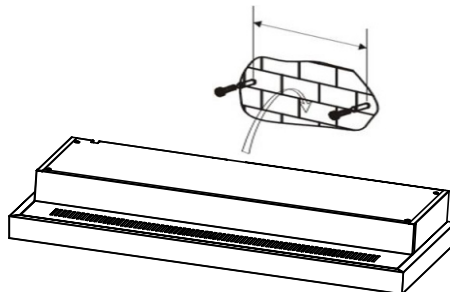
Step 1: Remove metal grease filters from the appliance and place them in a safe location

Step 2: Drill 2 x Ø8mm holes on the wall with the distance of 800mm and then insert wall plugs in the wall



Step 3: Insert the screws (ST4*30) x 2 into the wall plugs and leave about 10mm gap untightened.

Step 4: Put up the appliance onto the wall and tighten the screws.



Step 5: Put the metal grease filter back and make electrical connection

Installation(2) – Cabinet Mount

Step 1: Drill 4 x Ø6mm holes at the bottom of the cabinet according to the positions of the screw holes on top of the cooker hood

Step 2: Lift the appliance to the bottom of the cabinet as shown below:



Step 3: Tighten the appliance with the 4 screws provided (M5*26) to the four holes at the bottom of the cabinet

Step 4: Put the metal grease filter back and make electrical connection

Electrical Connection

Before completing any connection, make sure the house voltage corresponds to the voltage indicated on the label affixed inside the appliance

It is advisable to call a qualified technician to make the electrical connection.

Appliance fitted with plug

Connect it to a socket which conforms to current regulations. If you intend to connect it directly to the electric mains, remove the plug and fit an approved bipolar switch with a minimum contact opening of not less than 3mm.

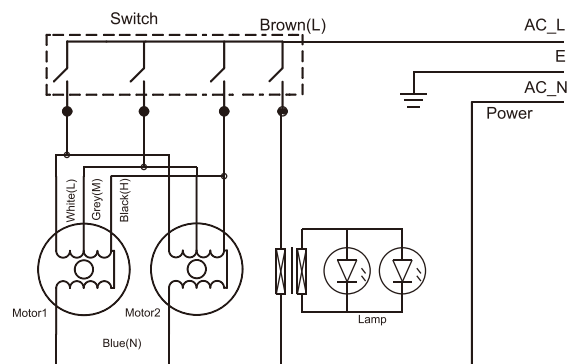
If the plug is not accessible once it has been inserted in the socket, it will however be necessary to fit an approved bipolar switch with a minimum contact opening of no less than 3mm.

Appliance without plug

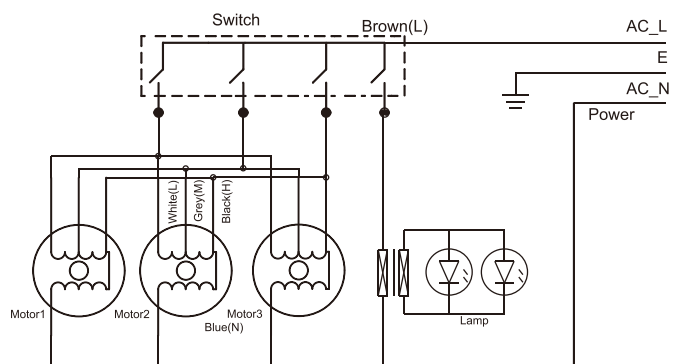
Fit an approved plug or an bi-polar switch with a minimum contact opening of no less than 3mm. The company is not liable for any problems caused by the user's failure to comply with the above instructions

Wiring Diagram

2 motors version



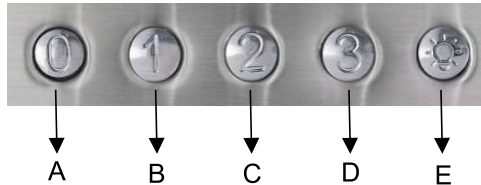
3 motors version



OPERATION

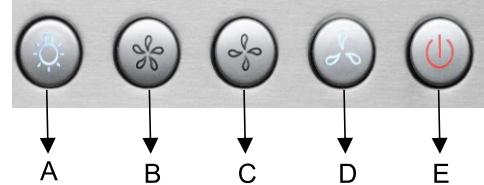
To achieve better extraction, it is recommended that the appliance is switched on few minutes before cooking and leave it on for approximately 15 minutes after the cooking or till the cooking smell is completely removed.

For model
EFCH 9201T SS/ EFCH 9202T BK
EFCH 9236T BK



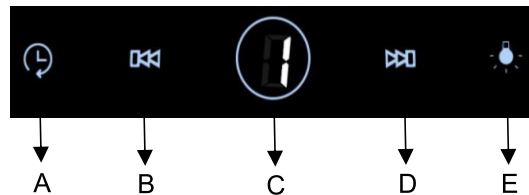
A – On/Off Switch. Press to turn it On or Off.
B – Low Speed. Suitable for simmering.
C – Medium Speed. Suitable for light cooking.
D – High Speed. Suitable frying or heavy cooking.
E – Light. Press to turn the light On or Off.

For model
EFCH 9231T SS



A – Light. Press to select the light on/off.
B – High Speed. Press to select to high speed.
C – Mid Speed. Press to select the medium speed.
D – Low Speed. Press to select to low speed.
E – Off & Delay Switch. Off Switch and Delay Stop Timer. To activate delay stop timer, press this button for one time when motor is running and the appliance will stop after 1 minute (delay for 1 minute).”

For model EFCH 9234T BK / EFCH 9204T BK



A – Delay Stop Timer
B – Power Down Key – Press to reduce the power by one level (total 3 levels)
C – Display Screen & ON/OFF Key - Press one time for access into standby mode;
During motor is running, press one time to turn off the motor.
D – Power Up Key – Press to increase the power by one level (total 3 levels)
E – Light – Press to turn the light On or Off

Delay Stop Timer

- 1) When motor is running, press this key one time and the appliance will stop after 1 minute (delay for 1 minute)
- 2) When the appliance is on standby mode (motor not running), press and hold this key and the display number on the display screen will flash. Press “B” or “D” to adjust the delay stop timer. The timer can be adjusted from 1 minute to 9 minutes.

CLEANING AND MAINTENANCE

Regular maintenance and cleaning ensures good performance and reliability, while extending the working-life of the appliance. Disconnect the power supply cord before carrying out any cleaning and maintenance.

ALUMINIUM GREASE FILTERS

Wash in the dishwasher or soak the filters in warm/hot detergent solution for an hour to remove the grease, then rinse off. Leave it dry before putting the filters back to the appliance.

The filter must be cleaned at least once a month or depending on the frequency of appliance usage. Clogged filters restrict airflow and cause the grease deposit to build up which may lead to risk of fire.

Note: Handle with care and do not bend the filters during cleaning. Slight discoloration may occur and this is normal.

CHARCOAL FILTERS

Charcoal filter cannot be reused. They must be replaced once every 6 months or depending on the frequency of appliance usage to ensure good performance. Clogged filters restrict airflow and cause the grease deposit to build up which may lead to risk of fire.

SURFACE OR APPLIANCE BODY

Wash with warm soapy water and a soft sponge. Wipe dry with lint-free cloth.

Avoid using abrasive detergent, scouring pads, steel wool or solvents on any part of this appliance as this will cause irreparable damage.

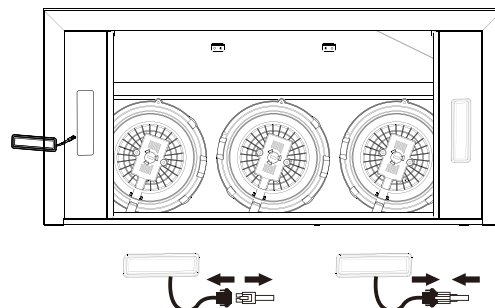
LED LIGHT REPLACEMENT

Before attempting to replace the LED light, make sure that the light switch is turned off. Remove the grease filter to access the LED light.

To remove the LED light

- Push out the light assembly from inside or using a small straight screwdriver
- Disconnect the connector as shown in the below figure.
- Replace with a new LED light assembly and reverse the procedure to refit it back to the appliance.

NOTE: Always replace the LED light with the same voltage. LED light with higher voltage than the original type could damage the electrical unit. Contact Customer Care Center for purchasing the parts.



TROUBLESHOOT

Symptoms	Possible Cause	Action
Appliance does not function	No electrical supply. Plug and main switch not connected	Check that the plug is connected and the main switched is turned on.
	Damaged switch or short circuit	Check if the switch is damaged or short circuit – replace or repair.
Poor airflow	Distance between the cooking appliance and the hood is too high	Adjust installation height
	Metal grease filters clogged	Clean metal grease filters
	Charcoal filters clogged	Replace charcoal filters
Motor running but No airflow	Air flow blade is jammed	Adjust air flow blade - contact Customer Care Center
Hood suction is not effective	Insufficient ventilation	Ensure that the kitchen is sufficiently ventilated to allow entry of fresh air
	The hood is installed too near or too far to the cooking appliance	Adjust installation height – recommended height is 70cm/60cm from cooking appliance
Strong Vibration	Hood installed incorrectly	Reinstall the hood correctly
	Fan installed incorrectly	Reinstall the fan correctly
	Fan is damaged	Replaced or repair
Strong cooking smell	Charcoal filters not installed	In re-circulating mode, charcoal filters must be installed
Whirring sound	Foreign object in contact with fan blade	Contact Customer Care Center
LED light not working	LED burnt out or loose	Replace LED assembly or tighten LED cable

If the problem persists after the above rectifications or if the appliance is not functioned properly, please contact our customer care center for assistance.

WARRANTY & SERVICE

- To activate your warranty, please register your appliance.
- Warranty registration can be done via our website or scan the QR code below

Website

<https://shop.casa.sg/E-Warranty>

QR Code

Scan the QR Code below. It will redirect straight to our “Warranty Registration” page.



Casa (S) Pte Ltd. reserves the rights to the final interpretation of the content of this manual. Customer will not be notified in the event of any amendments to the content.

The manufacturer and agent decline all responsibilities in the event of damage caused by improper, incorrect or illogical use of the appliance.

Contact customer care center when in doubt of the condition of the appliance. Please get ready the model number of your appliance, date of purchase and the product issue when contacting customer care center.

For customer care / after sales service [Singapore], please contact

Casa (S) Pte Ltd
15, Kian Teck Crescent, Singapore 628884
Telephone: +65 6268 0077
Fax: +65 6898 0510
Email: service@casa.com.sg