

ELIO 624 BAKER

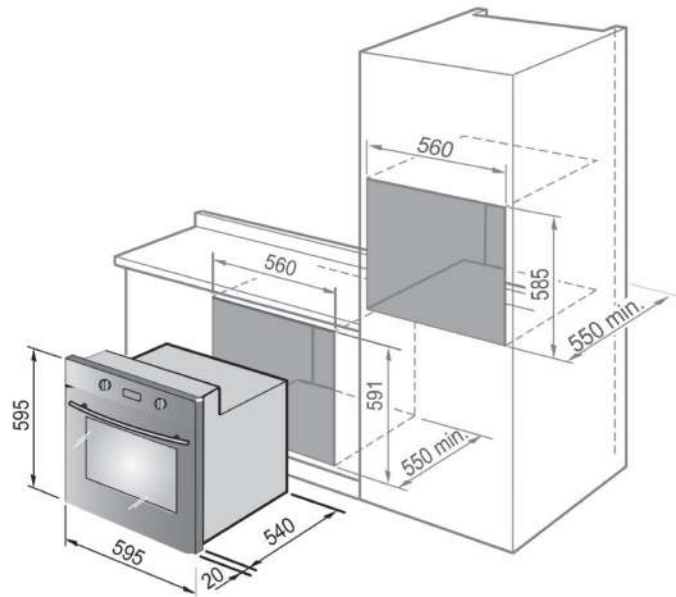
60CM MULTI-FUNCTION OVEN

PRODUCT FEATURES

- 9 Functions:
 - Oven light
 - Top and bottom heat
 - Bottom heat only
 - Special 40°C for fast leavening
 - Special 300°C for pizza making
 - Full grill
 - Fan assisted grill
 - Fan assisted top heat
 - Defrosting
- 59 litres usable capacity
- Mirror glass design
- Ventilation fan
- 120min cut-off timer
- Temperature range: 40°C to 300°C
- Easy removable door
- Triple glazed glass door
- Easy to clean enamel coating



 **MADE IN ITALY**



PERFORMANCES

- Energy rating: A
- Power consumption: 2350W
- Voltage: 230V/50Hz
- Oven Accessories: Wire shelf, tray, pizza stone and flat pastry tray

PRODUCT INFORMATION

- Product size: H595 x W595 x D540mm
- Cut-out size:
 - W560 x H585 x D550mm (In column)
 - W560 x H591 x D550mm (Undercounter)
- Colour: Stainless steel with mirror glass

 www.elba.com.sg
 ELBA Home Appliances
 @elbahomeappliances

