

ELIO 910

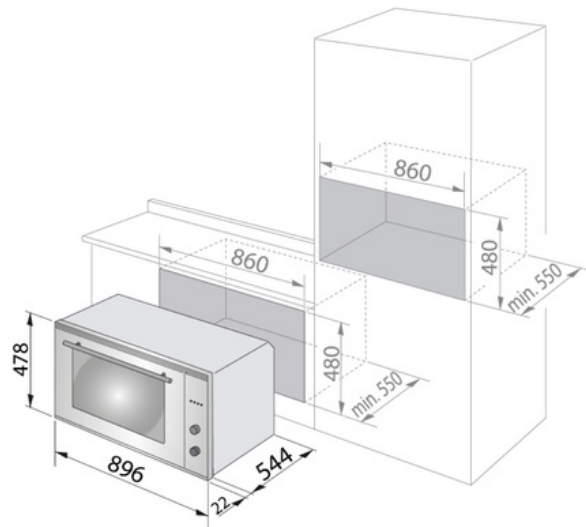
90CM ELECTRIC MULTI-FUNCTION OVEN

PRODUCT FEATURES

- 9 Functions:
 - Oven light
 - Convection
 - Bottom Heat Only
 - Top Heat Only
 - Grill with Rotisserie
 - Fan Assisted Grill
 - Fan Assisted Top and Bottom Heating
 - Hot Air Cooking
 - Fan Only (Defrosting)
- 87 Litres Capacity
- Black glass design with premium grade solid stainless steel door handle
- Touch control programmer
- Cooling fan
- Easy removable door with soft closing hinge
- Easy clip removable inner glass
- Slide-out removable inner glass
- Easy to clean enamel coating
- Catalytic panels
- Oven accessories: Tray, shelf, shaped shelf, fat filter, telescopic sliding shelf supports, rotisserie kit



 **MADE IN ITALY**



PERFORMANCES

- Energy rating: A
- Power Consumption: 3050W
- Voltage: 220-240V/50Hz

PRODUCT INFORMATION

- Product size: W896 x H478 x D566mm
- Built-in: W860 x H480 x D550mm
- Colour: Stainless Steel, Black Glass



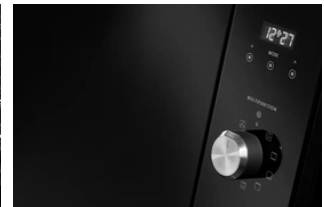
Shaped Shelf



Maxi Cavity



Rotisserie



Touch Control Programmer