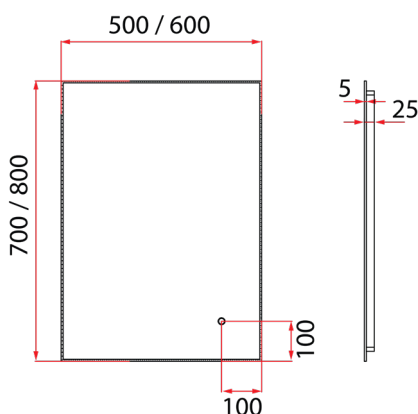




Rubine's ACO LED Mirror offers three light color options: warm, neutral, and white. Its 5mm thickness means it's durable and sturdy. These mirrors are lightweight, non-metallic, and corrosion-resistant, perfect for bathrooms. You can easily control the lighting with a simple touch, no buttons needed. Adjust the brightness smoothly to suit your preference, from soft ambient light to bright illumination.

No more foggy mirrors! The built-in demister keeps it clear, even in steamy conditions, ideal for makeup and shaving. It's splash-proof, protecting against water and dust. Plus, with a two-year warranty, you're covered against any manufacturing defects, giving you peace of mind.



Touch Sense Switch



Stepless Dimming



Tricolor LED



Demister



Vertical / Horizontal



IP44 Rated



Quick & Easy Installation



5mm Non-metallic Mirror



2 Years Warranty



CE Approved

\* Measured in Millimeters (mm)

\* Product dimension is for reference only.

\* Kindly allow 1-3cm of difference in actual product.

## Product Information

Model	RBM-ACO L57LED	RBM-ACO L68LED
Frame Material	Frameless	
Colour	Nil	
Installation	Horizontal / Vertical Wall-Mounted	
Overall Dimension	500 x 700 x 25mm	600 x 800 x 25mm
Weight	5.2kg	7.0kg
Package Included	Mirror + Mounting Hardware	
Warranty (T&C's Apply)	2 years on mirror desilvering	

\*Copyright. All Rights Reserved. Rubine is constantly improving its products and make changes if deemed necessary.